

General Information

- These instructions provide the basic information to install an Interworks® Modesty Panel to a Pedestal in a modular configuration using the Pedestal Non-Deface Kit.
- The Kit attaches the Modesty Panel to the Pedestal without requiring drilling into the Pedestal. Because the Kit does not affect the exposed exterior of the Pedestal, it is used when future reconfiguration is expected.
- One person can perform all operations.

Tools Required

- Drill with $\frac{1}{8}$ " #2 Phillips tip bit
- Measuring tape
- $\frac{5}{16}$ " Hex socket

Hardware

- Metal to worksurface: #10x1" Phillips pan head screws.
- Metal to metal: #10-16x $\frac{1}{2}$ " Hex washer head drill screws.

Installation

1. Begin assembly and installation of modular casegoods, except do not drill holes into Pedestal.
2. Once Modesty Panel is in position, secure it to the adjacent End Panel with four #10-16x $\frac{1}{2}$ " Hex washer head drill screws provided. Do not tighten the screws fully (Figure A).

NOTE: If installing only Pedestals, e.g. a double pedestal desk, skip to Step 3.

3. Position Lower Bracket onto to Modesty Panel, which is inset $2\frac{15}{16}$ " from rear of Pedestal (Figure B).
4. Ensure Modesty Panel is perpendicular to Pedestal and secure with two #10-16x $\frac{1}{2}$ " Hex washer head drill screws (Figure B).
5. Tighten all screws fully, including those connecting Modesty Panel to the End Panel.
6. Position the Upper Bracket into the lip of the Modesty Panel (Figure D). Secure with two #10x1" Phillips pan head screws (Figure D, inset).

Figure A

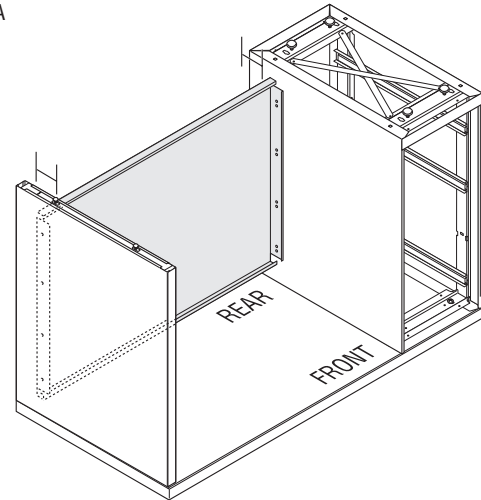


Figure B

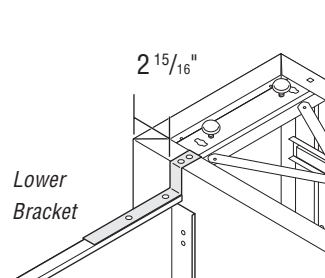


Figure C

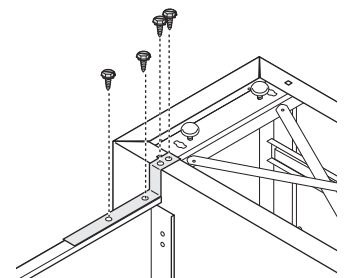
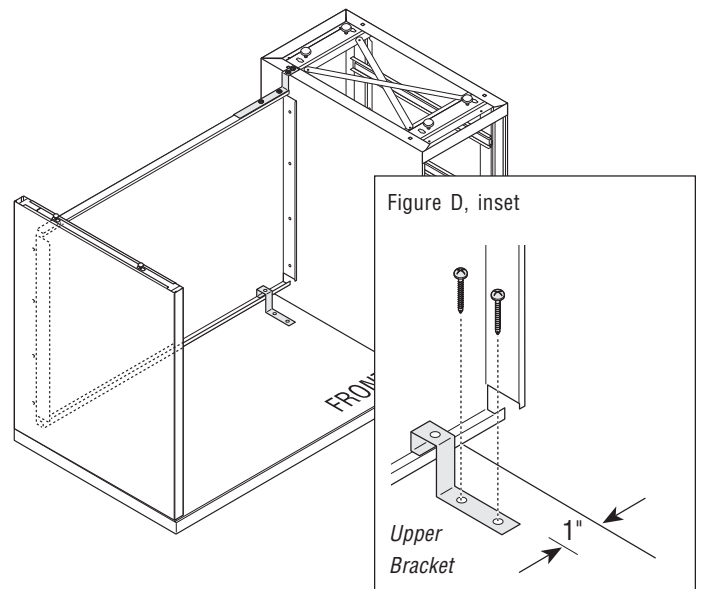


Figure D



Proper product installation, in accordance with these instructions, is the responsibility of the installing agent. If you have any questions concerning these instructions, please call your Customer Care Team.