

General Information

- These instructions provide the basic information to install an Interworks® Modesty Panel to a Pedestal, End Panel or Support Panel, e.g. to create a freestanding desk.
- Modesty Panel is mounted 1½" from top of worksurface, 3" from floor, and 3" from rear edge of worksurface. From approach side of desk, Modesty Panel is visibly inset.
- Two Modesty Panels are required to create Corner desk. See #HAIWFS003.
- One person can perform all operations, although two may be required to handle larger, heavier units.

Tools Required

- Drill with 1/8" and #2 Phillips tip bits
- 5/16" Hex socket
- 3/16" Hex head wrench
- Level

Hardware

- Metal to metal: #10x1/2" Hex washer head drill screws.

Installation

1. Facing the Pedestal, determine where the Modesty Panel will attach to the Pedestal: on the left or right side. Remove Pedestal drawers (see #HAIWFS001 or #HAIWS002).
2. Inside each Pedestal are two front and two rear uprights. In the front flange of the rear upright, look for locator holes where Modesty Panel will attach (Figure A). Drill the four holes, left OR right, with an 1/8" bit.

NOTE: If future reconfiguration is expected, a Pedestal Non-Deface Kit can be ordered to attach Modesty Panel to the Pedestal without drilling into it. Contact Customer Care.
3. With finished side facing out, secure one end of Modesty Panel to Pedestal with four #10x1/2" screws (Figure B).
4. Install End Panel or Support Panel to worksurface (see #HAIWFS005) or second Pedestal and secure Modesty Panel using screws provided. Return Support Panel illustrated (Figure C).
5. Retighten all screws, beginning with Modesty Panel and working your way out to Pedestal and end panels.

Figure A

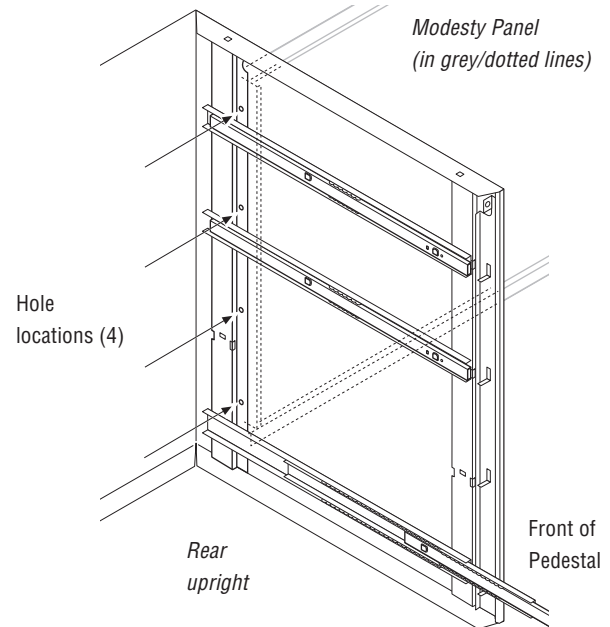


Figure B

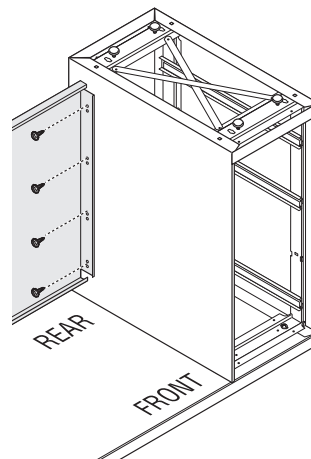
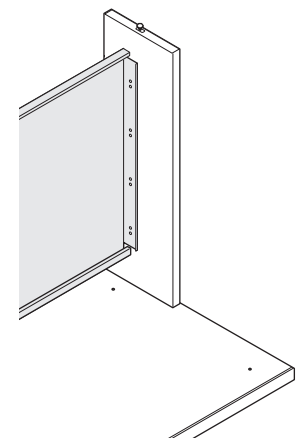


Figure C



Proper product installation, in accordance with these instructions, is the responsibility of the installing agent. If you have any questions concerning these instructions, please call your Customer Care Team.