

General Information

- These instructions provide the basic information to install a Pedestal Filler Strip or Traxx Pedestal Filler Strip onto a worksurface-supporting Interworks® Pedestal (Figure A).
- Traxx Pedestal Filler Strip is non-handed; Pedestal Filler Strip is left- or right-handed (Figure B).
- Designed for use with the Interworks Pedestal and either Interworks systems or modular surface or ICS systems surface. Interworks systems surfaces are illustrated.
- When Interworks systems surface is used, a wire management gap at the rear of the worksurface occurs and may be concealed with a Wire Manager Fill Cap.
- One person can perform all operations.

Tools Required

- Drill with #2 Phillips tip bit

Hardware

- #8x³/₈" thread cutting screws

Installation

1. Filler Strip is secured to either the left or right rear of the Pedestal (Figure B).
NOTE: Pedestal Filler Strip only (panel application): Hooks engage into panel side rail and should be pointing UP.
2. Secure Filler Strip to Pedestal using six #8x³/₈" thread cutting screws, three each at the top and bottom.
3. Level Pedestal glides to set hooks in Pedestal Filler Strip or as needed. See #HAIWS002.

Figure A

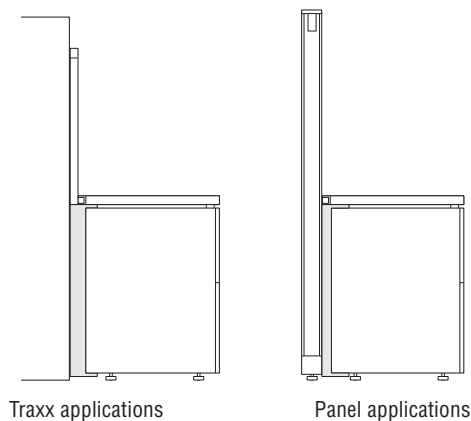


Figure B

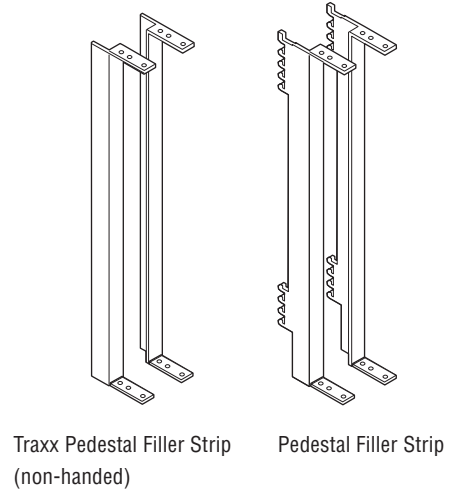
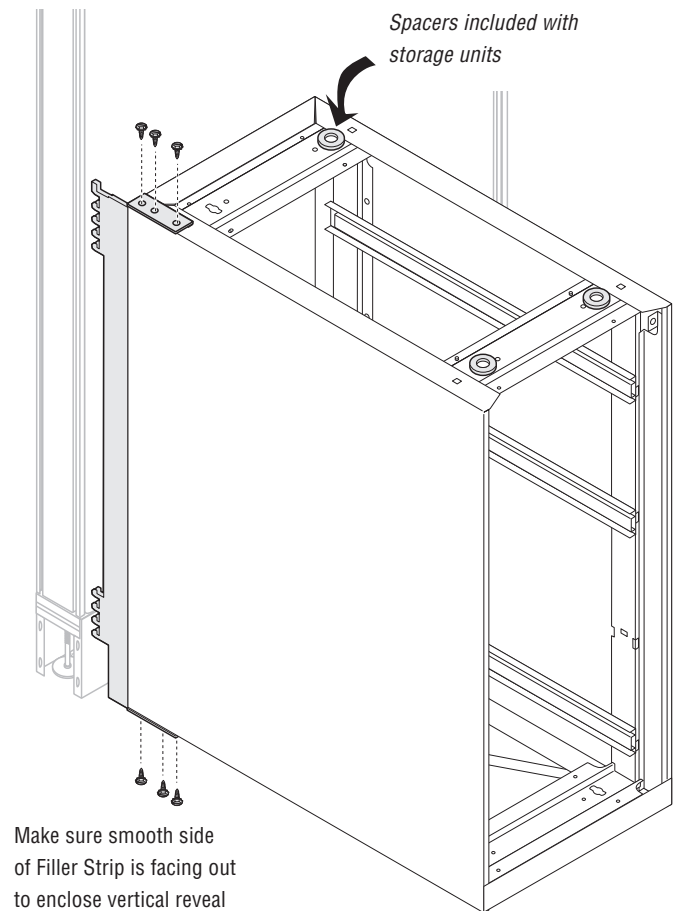


Figure C



Proper product installation, in accordance with these instructions, is the responsibility of the installing agent. If you have any questions concerning these instructions, please call your Customer Care Team.