

# Footprint®

## Lunar Overhead Storage, Flipper Door Cabinet

### Tools Required

- Cordless Drill/Driver
- #2 Phillips Bit or Square Drive
- #2 Phillips Screwdriver
- Tape Measure
- Padded work stand/area (toolbox or table with pad)
- Socket Driver, 1/4" or 3/8" Drive
- 3/8" Hex Socket

### Package Contents

- 1 Top
- 2 End Panels
- 1 Door for 24"-48" Cabinet
- 2 Doors for 60" and 72" Cabinets
- 1 Bottom Shelf
- 1 Front Strut (60"/72" Cabinets Only)

**Note:** This instruction covers all Lunar cabinet assembly. All operations to assemble the cabinet and doors can be done by one person, but it is recommended that a two person team assemble and install the units to the panel system or Traxx.

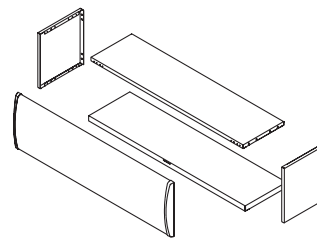
**Note:** All Lunar cabinetry is packaged unassembled, configured ready to assemble (RTA). The contents of the package contain the items needed to build the cabinet only. Brackets required to hang the cabinet on panels or Traxx are specified and shipped separately. The cabinet should not be assembled unless both the cabinet and the correct bracket set are in hand. Although the cabinet will assemble, if it does not have the added support from the bracketry it will be susceptible to damage. Inventory all items before proceeding with assembly. **STOP** if there are any items missing.

The basic assembly techniques are common for all cabinets and shelves, with minor differences which will be pointed out in this instruction.

Single door overhead cabinet components. (Figure A).

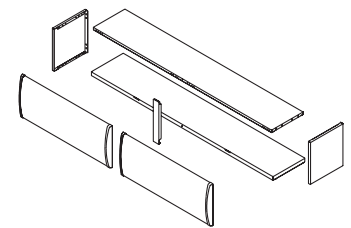
Double door overhead cabinet components. (Figure B).

Figure A



Single door overhead cabinet components

Figure B



Double door overhead cabinet components

# Footprint

## Installation

1. Assemble the end panels to the bottom shelf. It is recommended that the unit be assembled upside down. Invert the bottom shelf on the padded work area with the ends of the shelf hanging over the edge. (Figure C).
2. Both the end panels and the bottom shelf have mounting holes which indicate the back of the component. The bottom shelf has pre-installed fasteners, two on each end. Attach an end panel to one end of the bottom shelf by sliding the slots in the end panel flange over the fasteners on one end of the bottom shelf. Make sure the back flange of the end panel is flush against the back flange of the bottom shelf. Tighten both fasteners securely. (Figure D).

**Note:** Be careful to not over tighten. A maximum torque of 25 in. lbs. is recommended.

3. Repeat Step 2 to attach the other end panel to the opposite bottom shelf. Tighten all fasteners securely. (Figure E).

**Note:** Be careful to not over tighten. A maximum torque of 25 in. lbs. is recommended.

Figure C

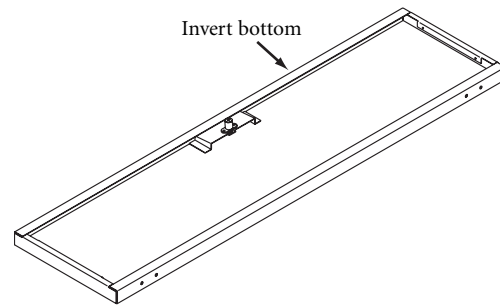


Figure D

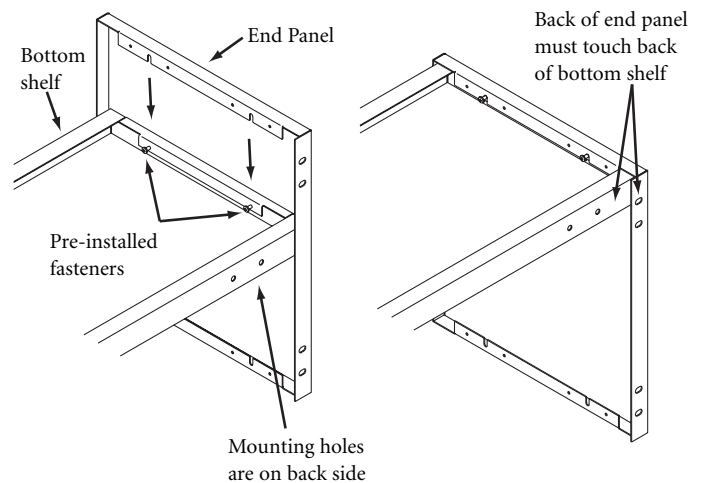
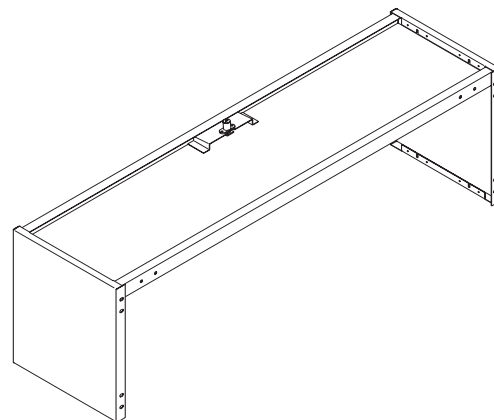


Figure E



# Footprint

## Installation (continued)

4. Invert the top and place it near the assembly.

**Important:** *Mounting holes face towards the back.*

Carefully lift the bottom/end assembly and insert the pre-installed fasteners on the end panels into the slots at each end of the top. Make sure the back flange of the top is flush against the back flanges of the end panels. Tighten all eight fasteners securely. (Figure F).

**Note:** *Be careful to not overtighten. A maximum torque of 25 in. lbs. is recommended.*

For the single door overhead units the basic case is complete. (Figure G). Skip to Step 7 to continue.

5. This step applies to the double door overhead units only. With the assembly still inverted, install the front strut. The front strut has a flange/threaded insert which fits over the bottom shelf. The other end has a recess which fits flush against the top. Attach the flange end with a #10 hex nut, and the recessed end with a #8 screw. Tighten both securely. (Figure H).
- Caution:** *Do not tighten the #10 hex nut beyond 10 in. lbs. torque (snug fit). If over-torqued, the threaded stud will pull the front face of the strut rearward and leave a depression, or the stud may actually tear away from the strut.*
6. The basic case for the 60" and 72" units is now complete. (Figure I).

Figure F

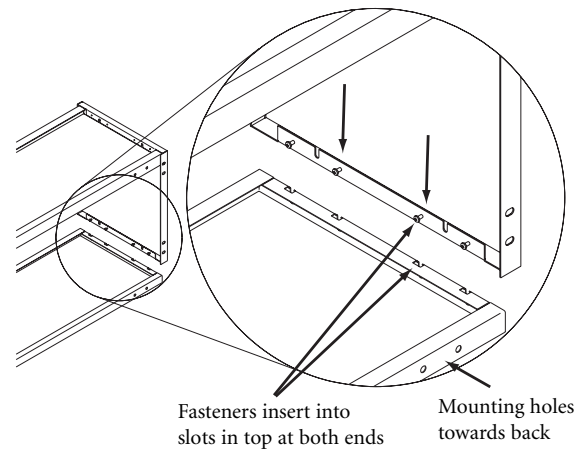


Figure G

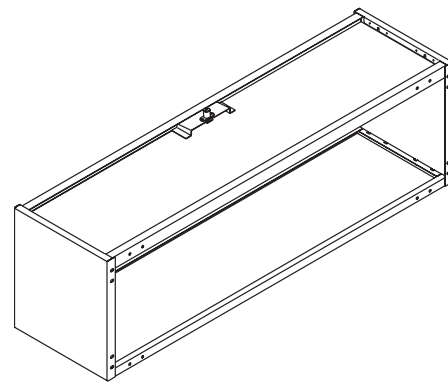
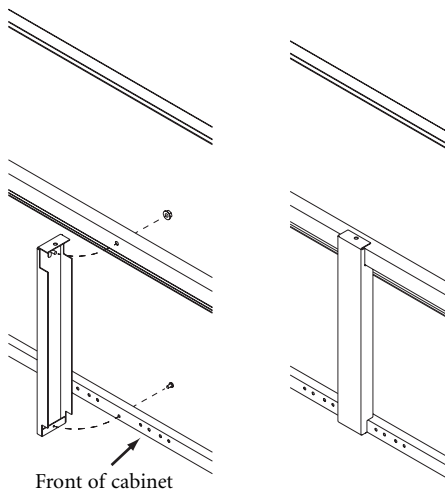


Figure I

Figure H



# Footprint

## Installation (continued)

7. **Note:** At this time, assemble the panel attachment bracket kit. As mentioned previously, the cabinet unit must be mounted using the correct bracket kit corresponding to the panel system, or Traxx, to which it is to be mounted. Moving the unit without the panel attachment brackets installed could cause structural damage to the unit. All brackets are attached using  $\frac{1}{4}$ " screws, nuts, and washers. Use care when mounting brackets, as not all mounting holes are intended to be used in each situation. Remember the overhead units should still be in the inverted position at this time. Reference Assembly Instructions: Installing Xsite/Traxx attachment brackets to Lunar Overheads; Installing Reasons panel attachment brackets to Lunar Overheads; Installing Cetra/Interworks panel attachment brackets to Lunar Overheads.
8. To attach door(s) to unit: Carefully turn unit to the upright position. Each door has the slides attached and adjusted to the door. (Figure J). The mounting screws to attach the doors are pre-installed in the top. Remove and save them.
9. Fully retract the slides and place door on top of the case. Align the hinge brackets of the slides to the mounting holes in the front edge of the top. The brackets should lie flush against the front edge of the top. (Figure K).
10. Use two of the previously removed screws to attach each slide bracket to the front of the case. (Figure L). Repeat steps 9 and 10 to attach second door to a double door unit.

Figure J

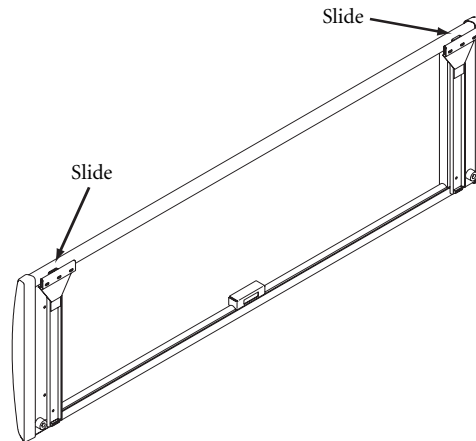


Figure K

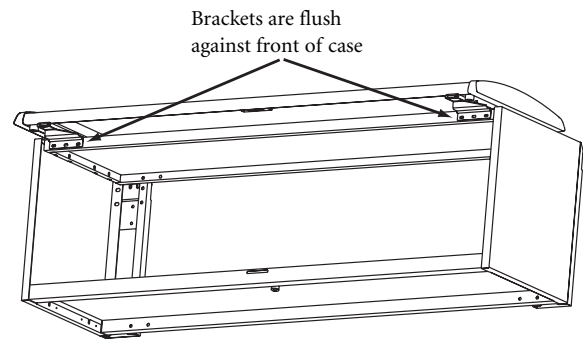
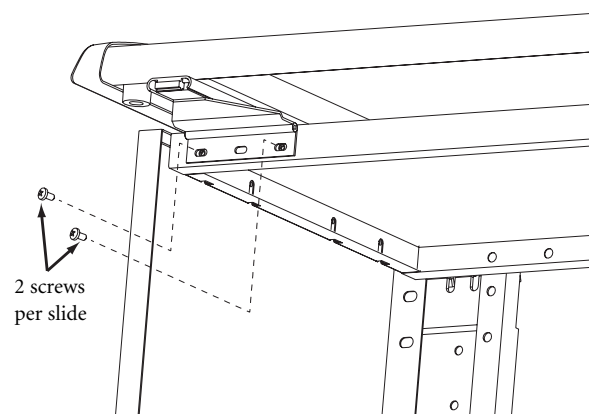


Figure L



# Footprint

## Installation (continued)

11. Install the lock core per the assembly instruction that comes with the lock. Check for smooth actuation of the lock cam through the slot of the shelf.
12. Check for smooth operation of the door slide in the open position. (Figure M).
13. Rotate door to closed position. (Figure N). Check for smooth actuation and engagement of the lock to the door.
14. Common adjustment issues and remedies:
  - Door will not close correctly, lock not engaging.  
(Case not square and/or case not attached correctly on panel/Traxx):
    - Check that the panel attachment brackets are fully seated to their panel/Traxx.
    - Check that the panel attachment brackets are securely fastened to the unit and in their correct positions. Correct if found faulty.
    - Check squareness of the case by measuring diagonally. Correct by slightly loosening the panel/Traxx attachment bracket fasteners and squaring the front of the cabinet. Re-tighten the fasteners.

Figure M

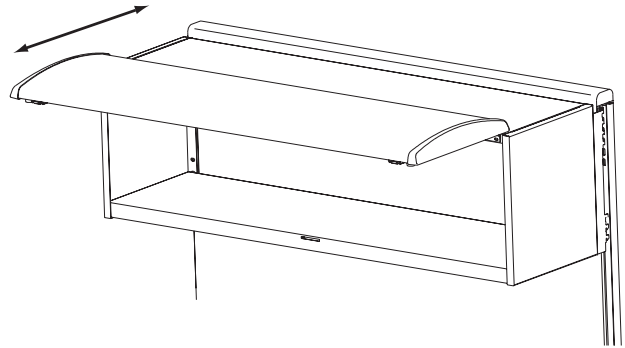


Figure N

