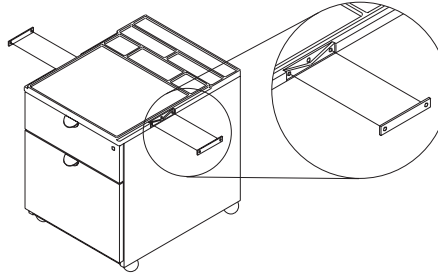
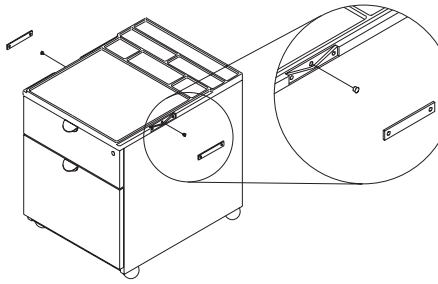


1

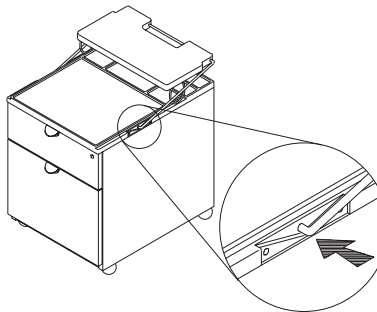
Remove retainer bracket from each side of mobile pedestal top. (Figure A).

Figure A**2**

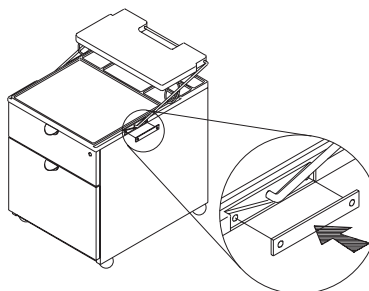
Remove cap plug from each side. (Figure B).

Figure B**3**

Insert wire handle into holes. (Figure C).

Figure C**4**

Replace retainer bracket. (Figure D).

Figure D

Cetra[®] Footprint[®]

Assembly Instructions

Mobile Pedestal Wire Handle/ Shelf Installation

Recommended Tools

- #2 Phillips Head Bit

 **Kimball[®]
Office Group**

Telephone 800.482.1818
Fax 812.482.8300

Form #AISYST001-97

Printed in U.S.A.

© 1997 Kimball International, Inc.

Proper product installation, in accordance with these instructions, is the responsibility of the installing agent. If you have any questions concerning these instructions, please call Kimball Customer Service.