

# Footprint®

## Bevel Profile Overhead Storage To Interworks® EQ Panels

### Tools Required

- Tape Measure
- Rubber Mallet
- Drill with #2 Phillips Bit

### General Information

- These instructions provide the basic information to install bevel profile overhead storage units onto Interworks EQ panels.
- For ganging two side-by-side units, contact Customer Care.
- One person can perform installation, although for larger units, two persons are recommended.

### Installation

- Units hang on the Interworks EQ panel via vertical hook brackets, which are part of the unit's side walls. A lock clip (designed for use with bevel profile overhead storage only) helps prevent unintentional removal from the panel.
1. Locate lock clip installed in upper rear corner of unit. Remove and reposition so unnotched flange aligns with second hook in rear bracket. (Figure A).
  2. Determine vertical position at which unit will be located:
    - Panels feature a resilient, black slot mask which is pushed aside during bracket installation.
    - When hanging bevel profile overhead storage and shelf side-by-side, units look best when bottom edges are flush.

**Tip:** To make top of overhead flush with top of panel, hang unit in uppermost side rail slot.
  3. Insert hooks along rear left and right sides of unit into panel side rail slots at desired height. (Figure B).

Figure A

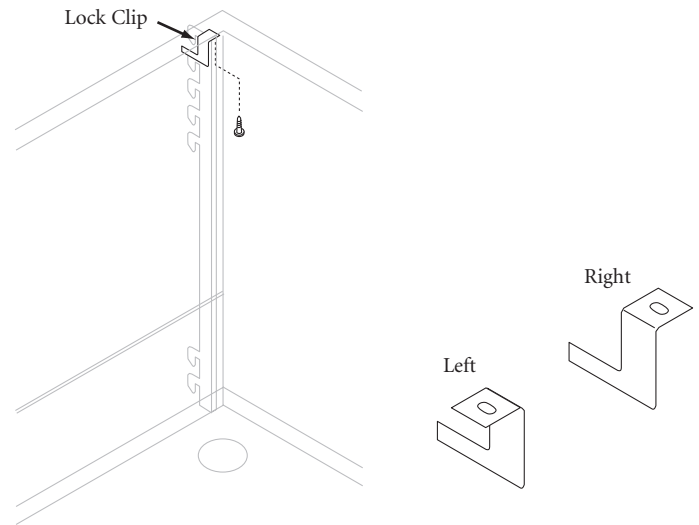
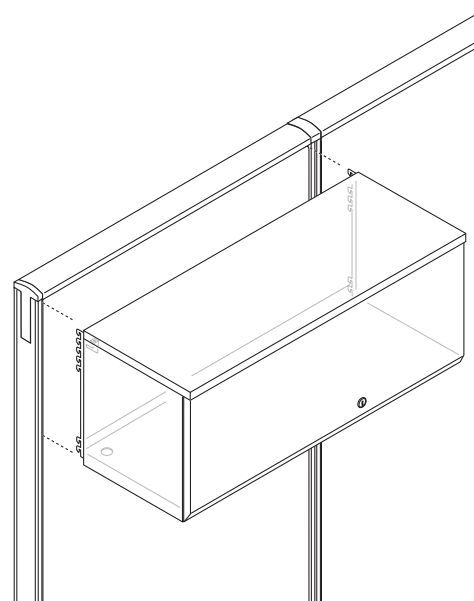


Figure B



Bevel profile units mount to Interworks EQ panel via vertical hook brackets at rear of unit (indicated by grey lines)

# Footprint

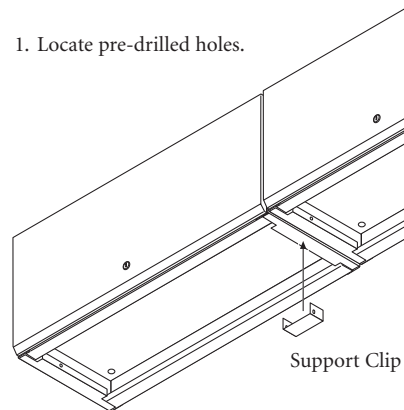
## Installation (continued)

### “Ganging” Two Side-by-Side Units

- A support clip is required to balance load and for even spacing between units. Contact Customer Care to order.
- 1. Locate pre-drilled holes under units and ensure they are aligned. (Figure C).
- 2. Secure support clip using two #10x $\frac{1}{2}$ " Phillips panhead screws provided.

Figure C

1. Locate pre-drilled holes.



2. Secure Support Clip with screws.

