

Footprint®

Bevel Profile Half Height and Full Height Shelf To Interworks® EQ Panels

Tools Required

- Tape Measure
- Rubber Mallet
- Drill with #2 Phillips Bit

General Information

- These instructions provide the basic information to assemble and install bevel profile half height and full height shelves onto Interworks EQ panels.
- One person is required to assemble units up to 48"W. For 54"W and larger units, two persons are recommended.

Installation

- Shelves are shipped Ready-to-Assemble (RTA) in four parts: shelf, left side wall, right side wall and bookstop. (Figure A).

1. Lay right side wall on ground, rear attachment brackets/hooks facing toward you. (Figure B).
Note: Flange on the inside of the side wall contains two assembly holes and a rounded tab.
2. Position shelf perpendicular to side wall.
Note: The underside of shelf contains a flange with holes and a square cutout corresponding to side wall holes and tab location.
3. Align tab in side wall flange to square cutout in underside of shelf. Slide the side wall onto the shelf so tab disappears and flanges are even.
4. Tap front of shelf gently with rubber mallet until holes in flanges are aligned.
5. Repeat assembly for left side wall.
6. Screw side wall to shelf using two screws provided, one per side.
Note: An additional hole is provided for “ganging” two side-by-side units together. If you do not plan to gang the shelf to another unit, you may opt to further secure shelf using additional screws provided. (Figure B).

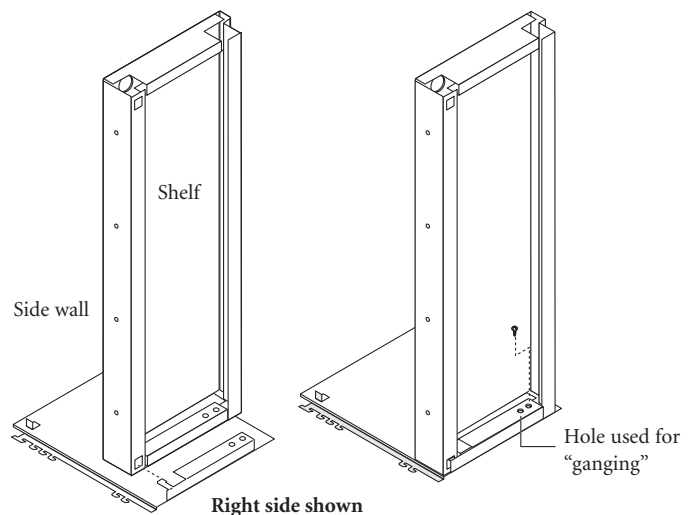
Full Height Shelf Only:

7. Lay unit flat with hooks of side walls facing you. Slide bookstop so bottom area (multiple holes) lines up with holes in back of shelf. Slot holes in top flange should slide over L-bracket, which are mounted on the side walls. Screw bookstop to back of shelf and to side wall L-brackets.

Figure A



Figure B



1. Slide tab in flange of side wall into corresponding knockout in shelf.
2. Align holes and secure with screws provided.

Footprint

Installation (continued)

To Interworks EQ Panel

- Units hang on the Interworks EQ panel via vertical hook brackets, which are part of the unit's side walls.
1. Determine vertical position at which unit will be located:
 - Panels feature a resilient, black slot mask which is pushed aside during bracket installation.
 - When hanging overhead storage and shelf side-by-side, units look best when bottom edges are flush.

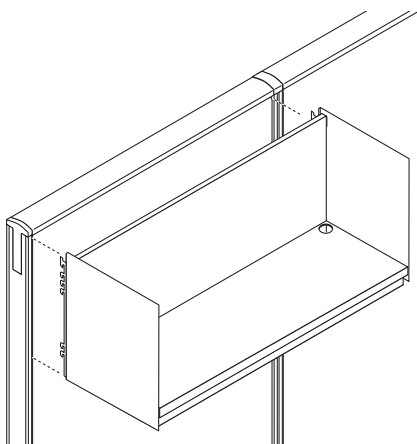
Tip: To make top of overhead flush with top of panel, hang unit in second slot from top of Interworks panel.

2. Insert hooks along rear left and right sides of unit into panel side rail slots at desired height. (Figure C).

“Ganging” Two Side-by-Side Units

- A ganging bracket, specified separately, is required to balance load and for even spacing between units.
1. Locate pre-drilled holes under units and ensure they are aligned. (Figure D).
 2. Secure ganging bracket using two #10x ½" Phillips panhead screws provided.

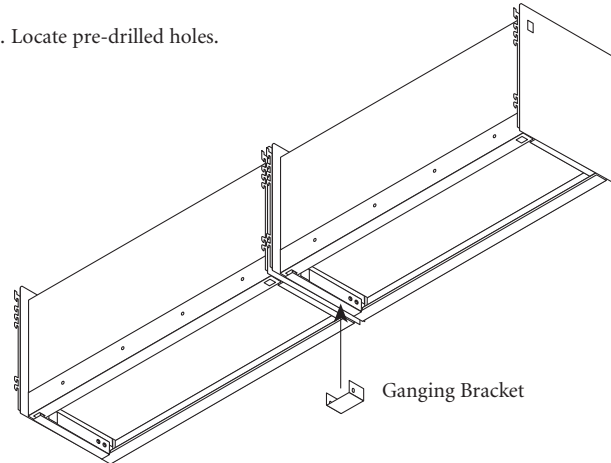
Figure C



Full Height Shelf illustrated

Figure D

1. Locate pre-drilled holes.



2. Secure Ganging Bracket with screws.

