

# Footprint®

## Overhead Storage and Full Height Shelf To TRAXX®

### Tools Required

- Tape Measure

### Product Required

- Traxx Adapter Bracket Kit 1 set (required when hanging Overhead Storage and Full Height Shelf on Traxx **WITH** Tiles)
- Traxx Adapter Bracket Kit 1 set and Traxx Spacer Bracket, 1 set (required when hanging Overhead Storage and Full Height Shelf on Traxx **WITHOUT** Tiles)

### General Information

- These instructions provide the basic information to install Interworks EQ® full height shelf and overhead storage receding door units onto Traxx.
- The installation process is the same for overhead storage and shelf. Overhead storage is illustrated.
- Half height shelf is not designed for use with Traxx.
- Units hang onto Traxx via vertical hooks in overhead unit. These hooks slip into slots in the Traxx adapter bracket kit.
- Use of the Traxx adapter bracket kit without tiles will cause the overhead unit to hang at a slight angle.
- The Traxx spacer bracket will “stand-off” the overhead unit from the wall, allowing the overhead to hang flush.
- For larger units, two persons are recommended to perform installation.

### Installation

#### To Traxx—When Tiles ARE Used

1. Determine horizontal position at which unit will be located.
2. Install two Traxx adapter brackets into top track of Traxx. (Figure A).
3. Adjust location to correspond to width of overhead unit.
4. Lift unit into position and slide the hooks on the back of the unit into the corresponding opening of the installed brackets. (Figures A and B). Allow unit to rest in vertical position.

Figure A

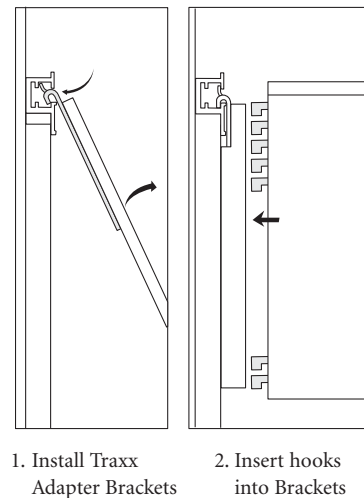
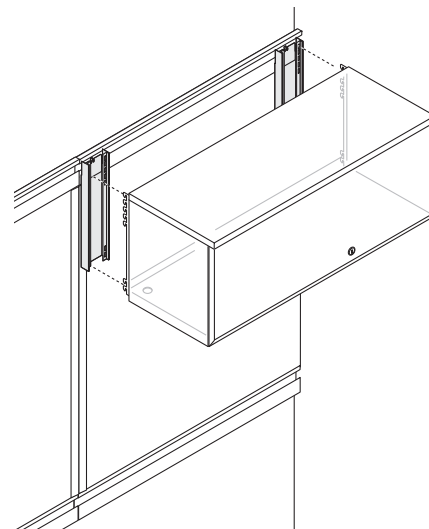


Figure B



Installation (continued)

To Traxx—When Tiles ARE NOT Used

1. Remove protective strip from one side of double-sided adhesive tape (provided) and adhere to the innermost edge of each Traxx spacer bracket flange, leaving approximately 1/8" uncovered from the outside flange edge. (Figure C). Discard remaining double-sided tape.
2. Remove the protective strip from the double-sided tape that is adhered to each Traxx spacer bracket.
3. Mount Traxx spacer bracket to Traxx adapter bracket, ensuring the brackets are flush at the lower end. (Figure D).
4. Follow Steps 1 through 4 “When Tiles Are Used.”

Figure C

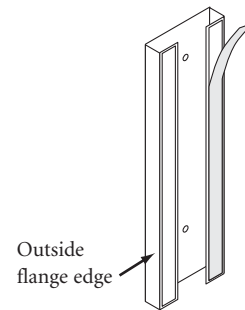


Figure D

