

Footprint®

Upper and Lower Table Screen

Tools Required

- Flat Blade Screwdriver
- Phillips Screw Bit
- Power Drill

Package Contents

- 2 Support Tubes
- 1 Upper Screen
- 1 Lower Screen
- 2 #8 x ¾" Screws

Installation

Note: Table screens are available for use with Crescent and Hexagon Tables only. Use the 44" long Support Tubes for Lower Screen installation only. Use the 59" long Support Tubes when installing an Upper Screen above the Lower Screen or an Overhead.

1. Remove grommet caps using a large, flat blade screwdriver or large coin. Turn counterclockwise; then press down on one side to raise opposite edge and remove. (Figure A).
2. **Lower Screen Only:**
Insert the 44" Support Tubes into grommet openings until firmly seated. Make sure Top Collar is on top end of tube. (Figure B).
3. Position Lower Screen over Support Tubes and slide screen evenly over tubes until screen is resting on the table surface. (Figure C).
4. **Lower and Upper Screen:**
Remove grommet caps from Support Tube cut-outs and insert the 59" Support Tubes into openings evenly until firmly seated. Make sure Top Collar is on top end of tube and that the **exposed cap screw heads are facing toward the front edge of the table.** (Figure D).

Figure A

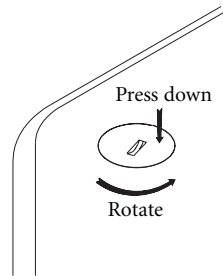


Figure B

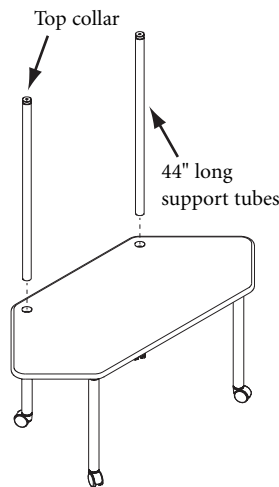


Figure C

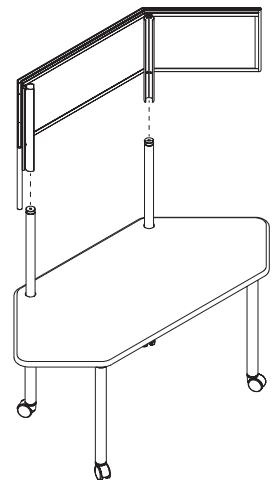
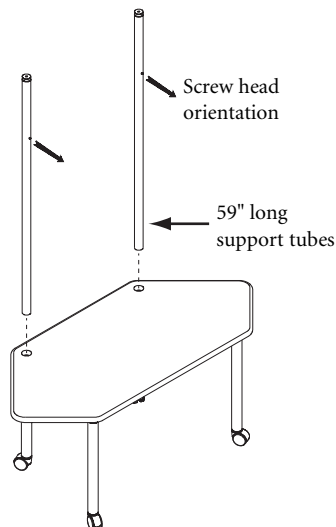


Figure D



Footprint

Installation (continued)

5. Install Lower Screen as outlined in Step 2. Rotate Support Tubes one half ($\frac{1}{2}$) turn until exposed cap screw heads in tubes are facing toward the back edge of the table. (Figure E).
6. To prepare Upper Screen for installation, loosen screw attaching lower mounting bracket to bottom channel. Turn bracket as shown in illustration and tighten screw. (Figure F).
7. Position Upper Screen above Support Tubes and insert upper mounting bracket dowels into top collars of Support Tubes. Insert Upper Screen lower mounting brackets into the upper channel of Lower Screen. Press Upper Screen firmly into place and seat securely. (Figure G).
8. Attach lower mounting brackets to Lower Screen using two (2) #8 x $\frac{3}{4}$ " self-tapping screws, supplied. (Figure H).

Figure E

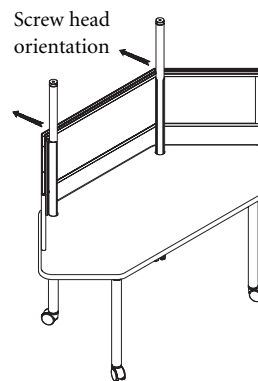


Figure F

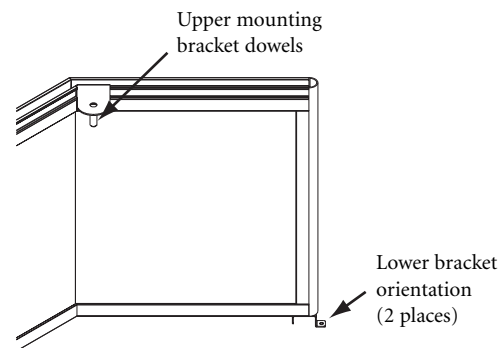


Figure G

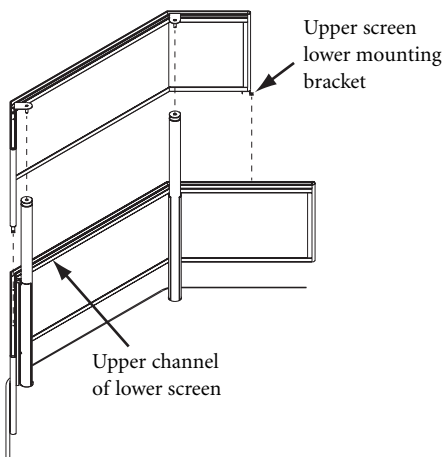


Figure H

