

Footprint®

Storage Cubby for Xsite and Wall Mounted Traxx

Tools Required

- Screwdriver
- Level

Installation

1. Storage cubbies are mounted using a series of upper tabs and integral flanges which are riveted to the back of cubby. (Figure A).
2. Tilt the cubby and slide the upper tabs into the extrusion slot and push cabinet up against the upper edge of the extrusion slot. While holding the cubby against the edge of the extrusion slot, rotate the cubby allowing the integral flanges to swing into the same extrusion slot. Allow the cubby to lower until the integral flanges rest against the lower extrusion slot edge. Ensure that all tabs and integral flanges are inside the extrusion slot. (Figure B).
3. To raise the front of cubby for leveling, loosen screws and slide bracket towards the back. To lower front of cubby, slide bracket towards the front. Tighten screws when cubby is level. (Figure C).

Figure A

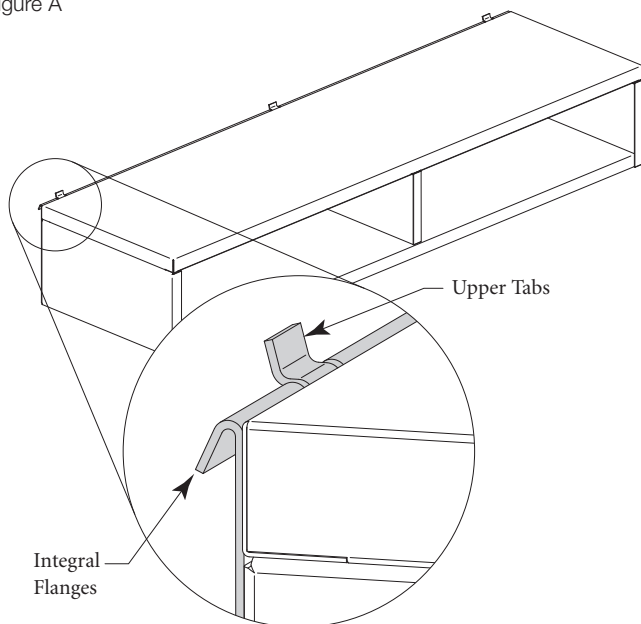


Figure B

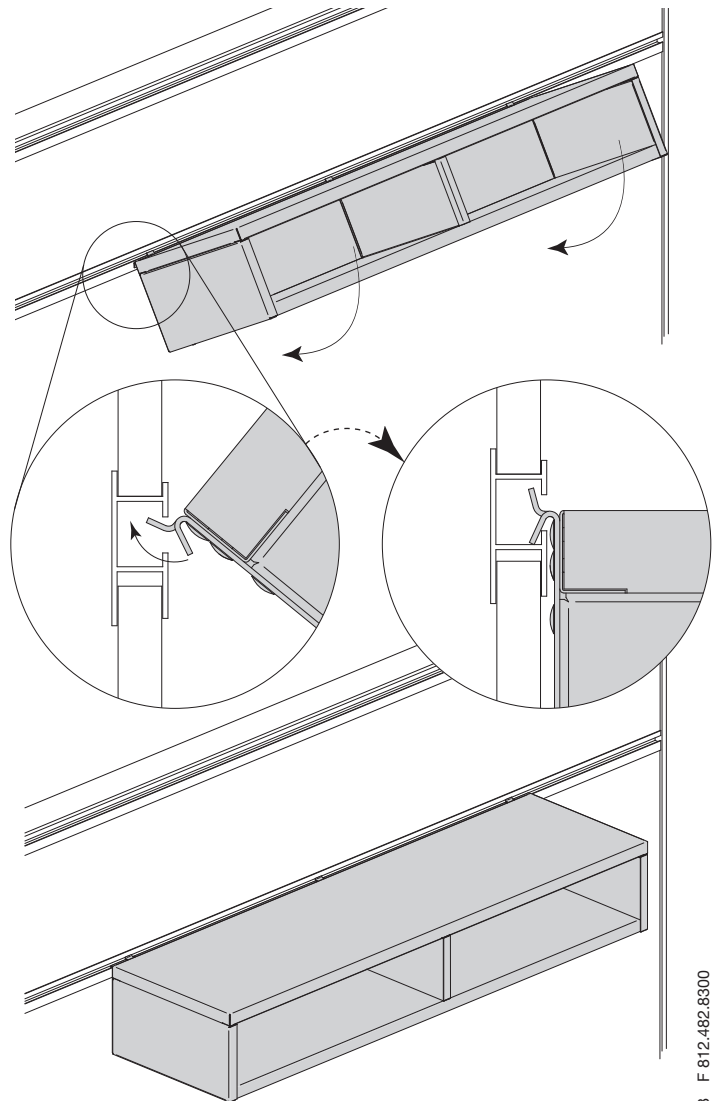
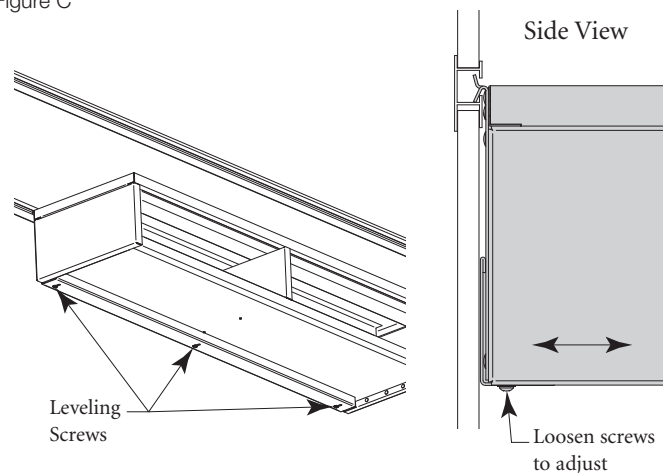


Figure C



Printed in U.S.A. © 2009 Kimball International, Inc. T 800.482.1818 F 812.482.8300

Proper product installation, in accordance with these instructions, is the responsibility of the installing agent. If you have any questions concerning these instructions, please call Kimball Office Customer Service.

Kimball®Office