

## Storage Tile Tip-Out Drawer

### Tools Required

- Cordless Drill/Driver
- #2 Phillips Bit

### Installation

1. Align holes in divider(s) with holes in back panel of storage tile. From back of tile, attach using three screws provided. (Figure A)
2. Tilt tip-out drawer slightly and engage left pivot pin with spring into hole in base of divider or storage tile.
3. Compress pivot pin spring by pushing drawer to left.
4. Align pivot pin on right side of drawer with hole in base of storage tile or divider. Release pressure, allowing pin to seat in hole. (Figure B)
5. Check operation.

Figure A

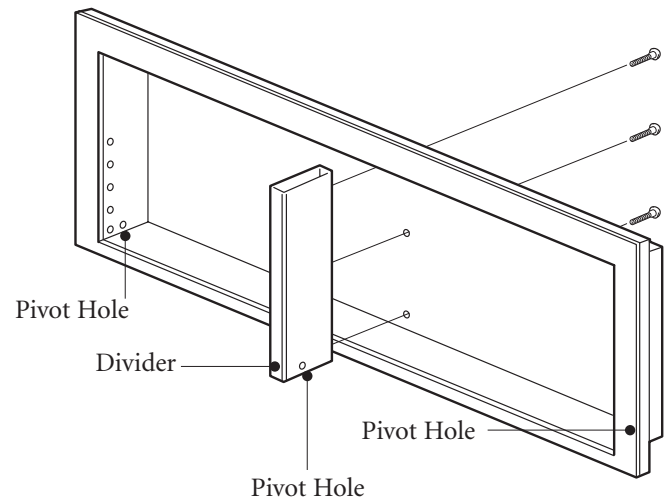


Figure B

