

Independent Neutral Wiring Diagrams

NOTE: Provide these wire diagrams to the electrical contractor.

120/208V WYE

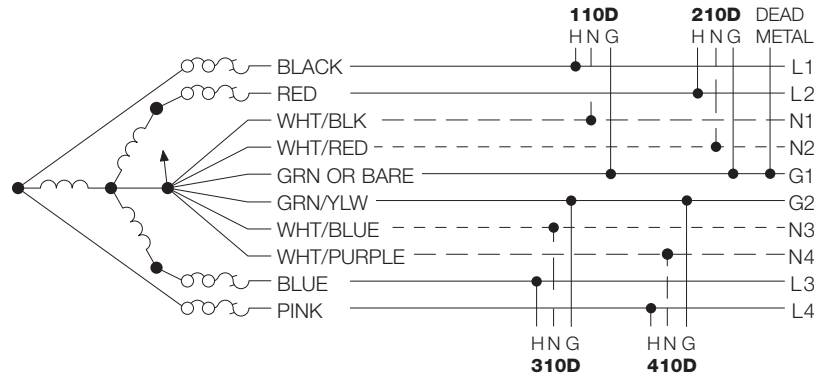
3 PHASE 8-10

Independent Neutral

Xsite 2 and 2 Configuration

10-Wire: Receptacles;

110D; 210D; 310D; 410D



120/208V WYE

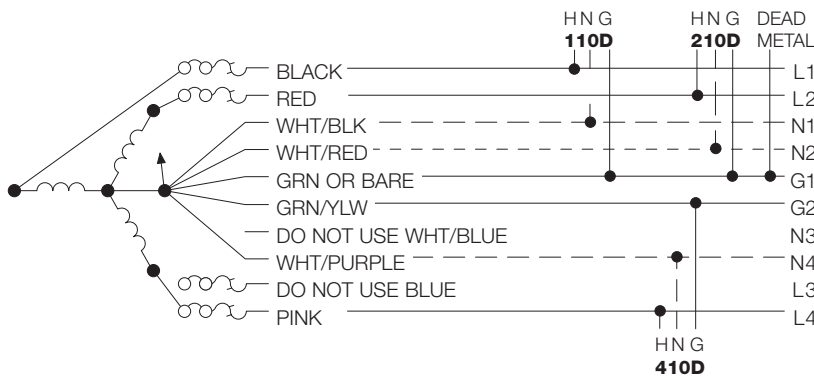
3 PHASE 8-10

Independent Neutral

Xsite 2 and 1 Configuration

10-Wire: Receptacles;

110D; 210D; 410D



120/240V

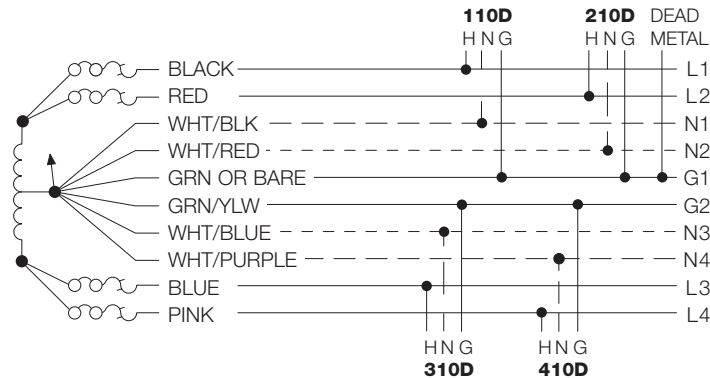
1 PHASE 8-10

Independent Neutral

Xsite 2 and 2 Configuration

10-Wire: Receptacles;

110D; 210D; 310D; 410D



120/240V

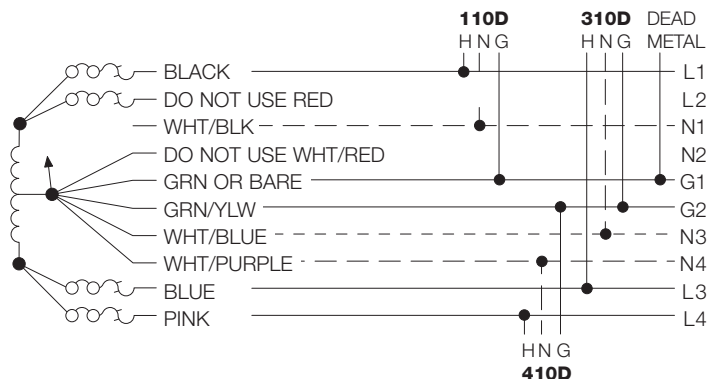
1 PHASE 8-10

Independent Neutral

Xsite 1 and 2 Configuration

10-Wire: Receptacles;

110D; 310D; 410D



Proper product installation, in accordance with these instructions, is the responsibility of the installing agent.
If you have any questions concerning these instructions, please call Kimball Office Customer Service.

Kimball® Office

Xsite

Shared Neutral Wiring Diagrams

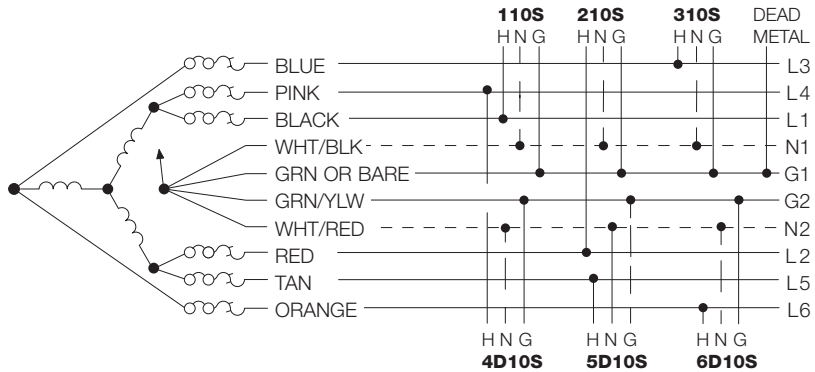
NOTE: Provide these wire diagrams to the electrical contractor.

120/208V WYE

3 PHASE 8-10

Shared Neutral

Xsite 3 and 3 Configuration
10-Wire: Receptacles;
4D10S; 5D10S; 6D10S

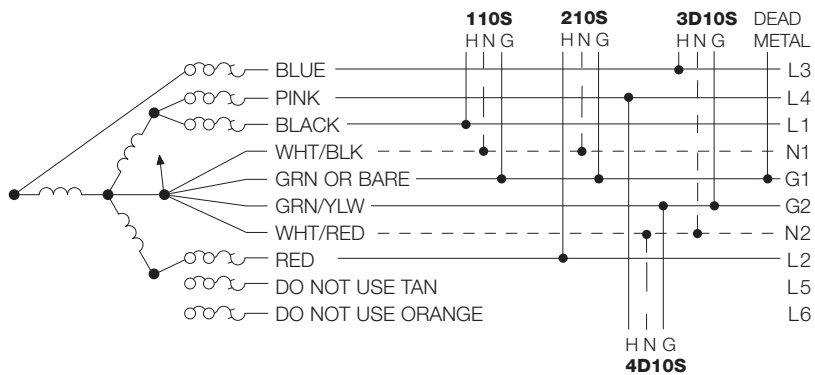


120/208V WYE

3 PHASE 8-10

Shared Neutral

Xsite 2 and 1 Configuration
10-Wire: Receptacles;
110S; 210S; 3D10S; 4D10S

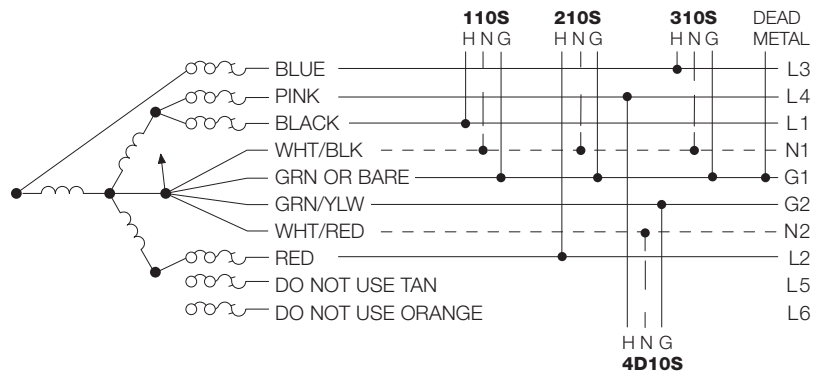


120/208V WYE

3 PHASE 8-10

Independent Neutral

Xsite 3 and 1 Configuration
10-Wire: Receptacles;
110S; 210S; 310S; 4D10S

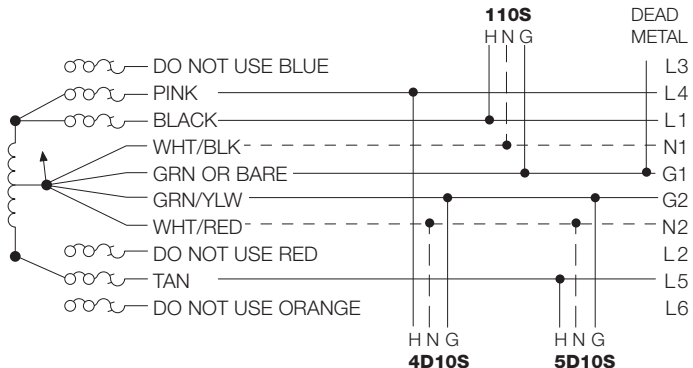


120/240V

1 PHASE 8-10

Shared Neutral

Xsite 1 and 2 Configuration
10-Wire: Receptacles;
110S; 4D10S; 5D10S



Proper product installation, in accordance with these instructions, is the responsibility of the installing agent.
If you have any questions concerning these instructions, please call Kimball Office Customer Service.

Kimball[®]Office