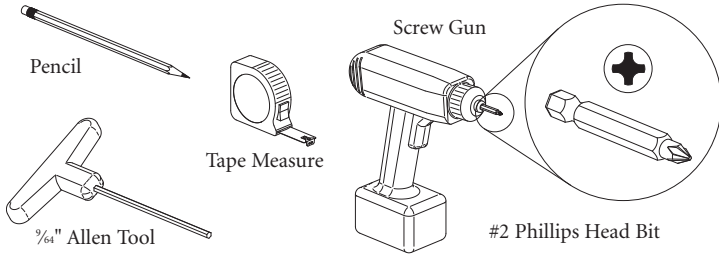


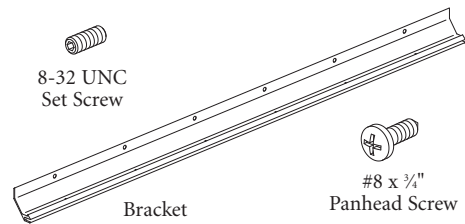
Fluent

Privacy Screen

Tools Required



Package Contents



Installation

1. Slide bracket onto privacy screen panel and tighten all set screws. (Figure A).
2. Align privacy screen along edge of worksurface centered between legs and/or pedestals, measure and mark. (Figure B).
3. Drill pilot holes to insure modesty is mounted perpendicular to surface. Attach privacy screen to worksurface as shown. (Figure C).

Figure A

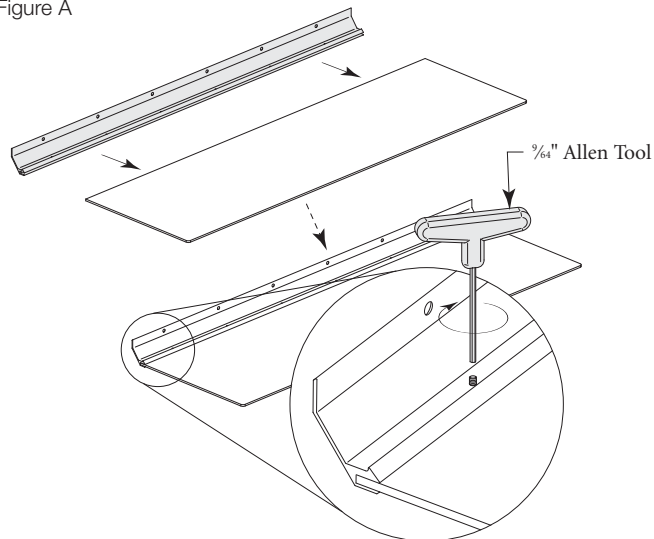


Figure B

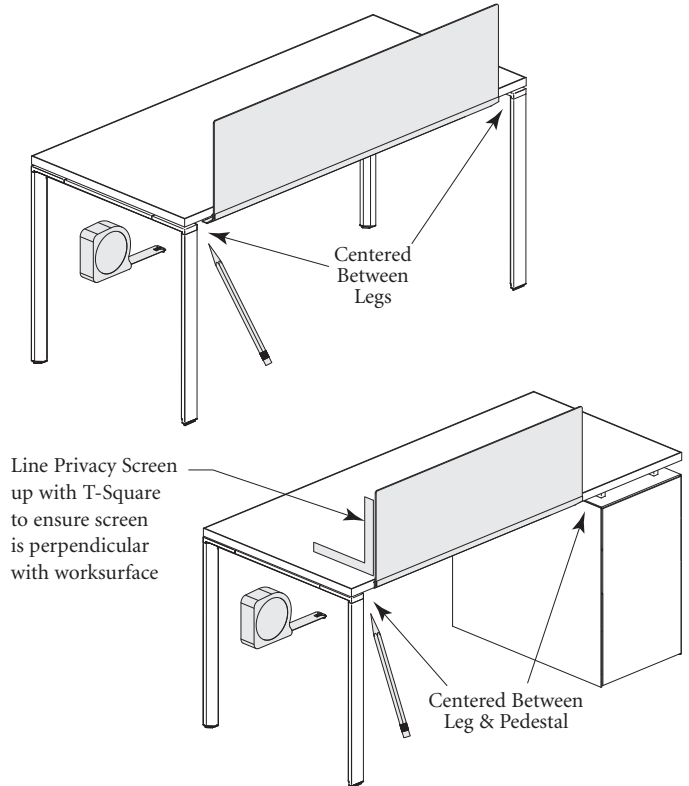
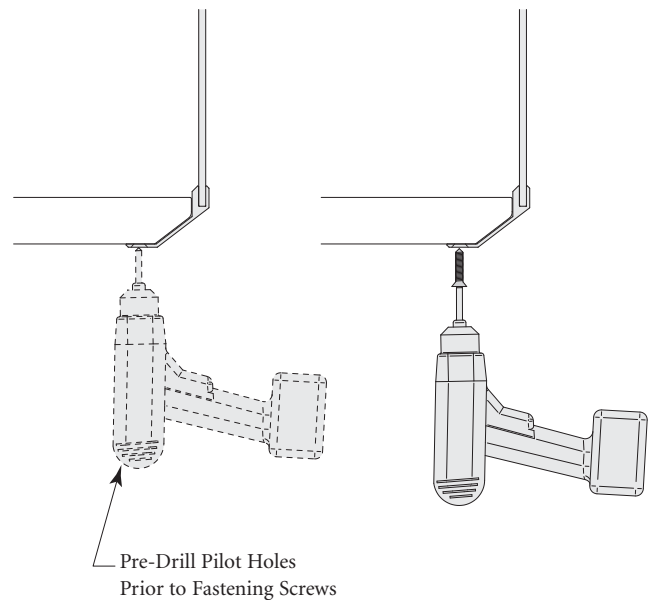


Figure C



Printed in U.S.A. © 2009 Kimball International, Inc. T 800.482.1818 F 812.482.8300

Proper product installation, in accordance with these instructions, is the responsibility of the installing agent. If you have any questions concerning these instructions, please call Kimball Office Customer Service.

Kimball[®]Office