

Stacking Overhead on Highback Shelf

Tools Required

- Screw Gun w/ #2 Phillips Head Bit

Hardware Required

- 38 X 2 1/2" Panhead Screw

Installation

Note: It is recommended that two (2) persons be used to lift and place the overhead storage unit.

1. Carefully center the overhead storage unit and lower onto the highback shelf making sure that pucks are aligned and resting on top of one another.
2. All overhead storage units need to be fastened to the highback shelf using a #8 x 2 1/2" panhead screw. Using center row of holes on highback shelf pan, insert screw as close to center on each overhead securing it to the highback shelf.

Figure A

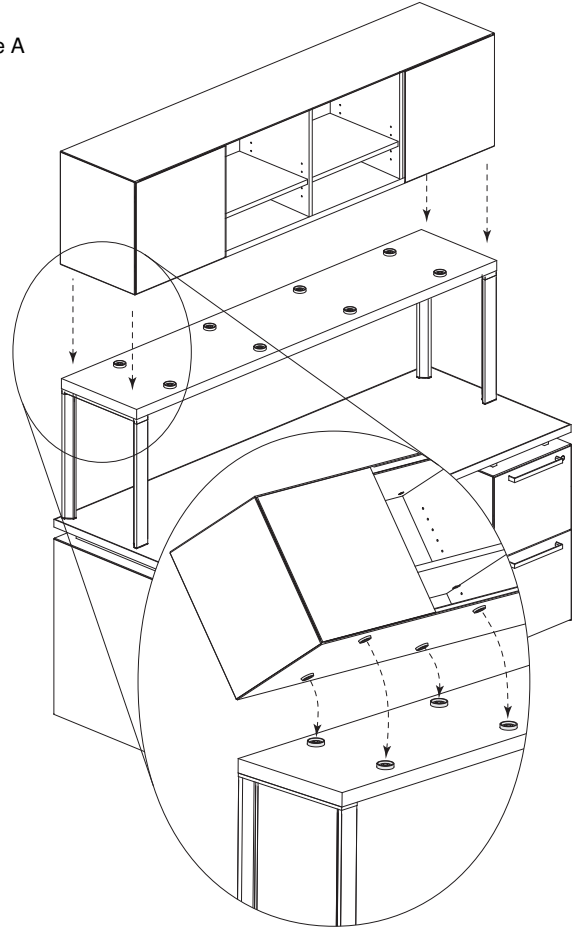
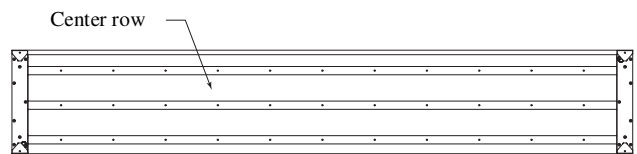
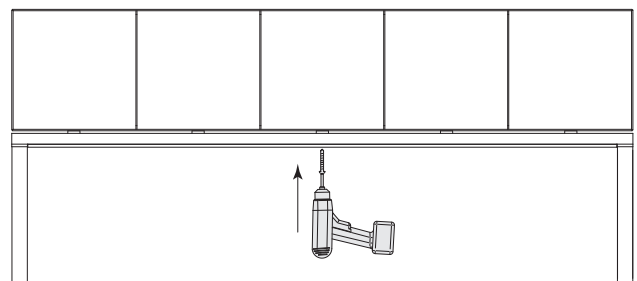


Figure B



View From Underside of Highback Shelf